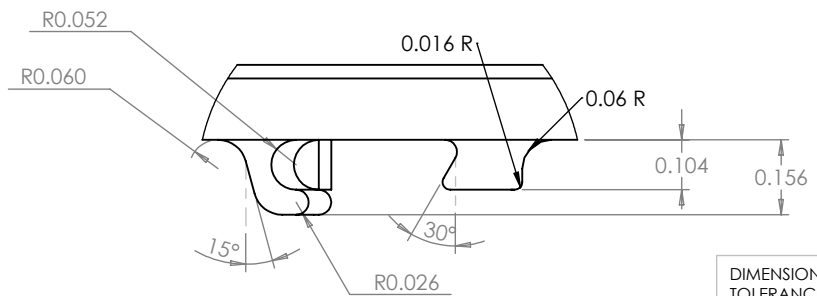
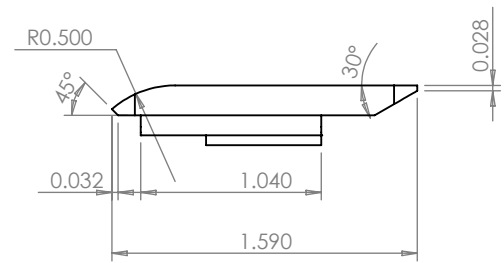
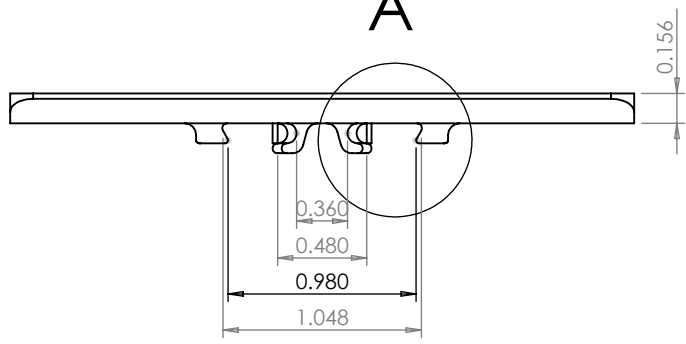


A



DETAIL A

DIMENSIONS ARE IN INCHES
 TOLERANCES:
 FRACTIONAL ± 1/64
 ANGULAR: MACH ± 0° 30'
 TWO PLACE DECIMAL ± 0.010
 THREE PLACE DECIMAL ± 0.005
 DRAFT ANGLES: 0° 30' to 1° 0'

<p>PLASTOCK® Manufactured by Putnam Precision Molding</p> <p>www.plastock.biz © 2010 Putnam Precision Molding</p>	<p>Part Number: 150 NSC 450</p>
	<p>Part Description: Removable Top Plate Series 1 1/2" Pitch</p>

PROPRIETARY AND CONFIDENTIAL : THE INFORMATION CONTAINED IN THIS DRAWING IS THE SOLE PROPERTY OF PUTNAM PRECISION MOLDING. ANY REPRODUCTION IN PART OR AS A WHOLE WITHOUT THE WRITTEN PERMISSION OF PUTNAM PRECISION MOLDING IS PROHIBITED. INFORMATION IN THIS DRAWING IS PROVIDED FOR REFERENCE ONLY.